

# INDOOR WALLMOUNT ENCLOSURES

Indoor Wallmount Enclosure for 12-, 24-, 48-, 72-, 96- and 144-Fiber that accept interchangeable FC, SC, ST or LC Adapters.

The wallmount is offered with the options of splicing or patching applications, the splicing wallmount supplies with fiber splicing kit, the patching wallmount supplies with cable management spools.

Total 5 different sizes to fit for different installation environment and fiber capacity.



## KEY FEATURES :

- 12-, 24-, 48-, 72-, 96- and 144-Fiber capacity
- Flexibly accept FC, SC, ST or LC Adapter faceplates
- Flexible design to support patching or splicing cabling solution
- Multiple cable entrances from top or bottom
- Lockable door to restrict unauthorized access
- 2-door design enable convenient cable management
- Available with loaded pigtailed and adapter faceplates upon request

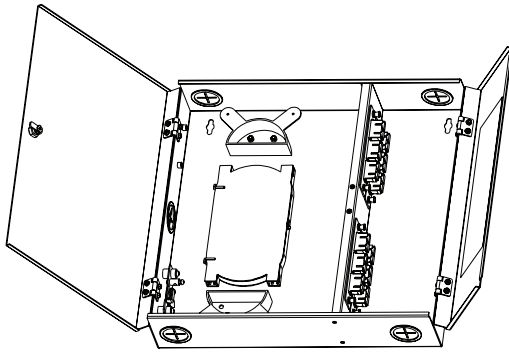
## Specifications

<b>Main Material</b>	Regular offer : Steel Option for Aluminum upon request
<b>Dimension</b> <b>Length (L) x Height (H) x Depth (D)</b>	Size-1 : 370mm x 350mm x 78mm Size-2 : 420mm x 420mm x 78mm Size-3 : 420mm x 420mm x 108mm Size-4 : 420mm x 420mm x 138mm Size-5 : 420mm x 420mm x 198mm
<b>Support Applications</b>	Patching / Splicing
<b>Available Interfaces</b>	FC, SC, ST, LC
<b>Fiber Capacity per Panel</b>	12-, 24-, 48-, 96-, 144-Fiber
<b>Available Fiber Modes</b>	Singlemode (OS 1/2) Multimode (OM1, OM2, OM3, OM4)
<b>Compliance</b>	RoHS
<b>Coating and Color</b>	Beige Powder Coating
<b>Preloaded Units</b>	Fiber Management Spools Splice Tray (for Splicing Model Only) Door Lock and Key Adapter Faceplates (Optional as per Order) Fiber Pigtailed (Optional, to be ordered separately)

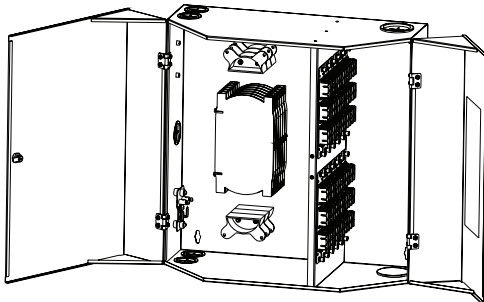
# INDOOR WALLMOUNT ENCLOSURES

## WALLMOUNT FOR SPLICING

This wallmount enclosure is designed for fiber splicing application, it supplies with splice trays and fiber spools to support convenient fiber splicing on-site, optional preloaded adapter faceplates can be preloaded to allow extra convenience.



Example of Wallmount Size-1:  
370 x 350 x 78 (WxHxD) mm  
4-slot, 24F SC Blue Adapter  
P/N: WS1-04-D206B



Example of Wallmount Size-5:  
420 x 420 x 198 (WxHxD) mm  
12-slot, 144F SC Blue Adapter  
P/N: WS5-12-C212B

Item Description				Max. Fiber Capacity Per Enclosure			Part No.	
Size of the Wallmount Enclosure (W x H x D) mm	Total Nos. of Faceplate Slot Per Enclosure	Accommodate Faceplate Size (H x W) mm	Nos. of Preloaded Splice Tray and Fiber Spools (Set)	House with FC/ST Faceplates	House with SC Faceplates	House with LC Faceplates	P/N for Empty Enclosure without Faceplate	P/N for Enclosure Preloaded with Adapter Faceplate <sup>(1)</sup> , <sup>(2)</sup> , <sup>(3)</sup>
Size-1 : 370 x 350 x 78	4	Size-D: 28 x 120	1	24F	24F	48F	WS1	WS1-04-Dxxxx
Size-2 : 420 x 420 x 78	4	Size-C: 28 x 155	1	48F	48F	48F	WS2	WS2-04-Cxxxx
Size-3 : 420 x 420 x 108	6	Size-C: 28 x 155	2	72F	72F	72F	WS3	WS3-06-Cxxxx
Size-4 : 420 x 420 x 138	8	Size-C: 28 x 155	2	96F	96F	96F	WS4	WS4-08-Cxxxx
Size-5 : 420 x 420 x 198	12	Size-C: 28 x 155	4	144F	144F	144F	WS5	WS5-12-Cxxxx

[1] Part Nos. highlighted as Cxxxx, Dxxxx refers to the selection of Wallmount Adapter Faceplate, please turn to Page 93 ~ 95 to select Part Nos. for Adapter Faceplate

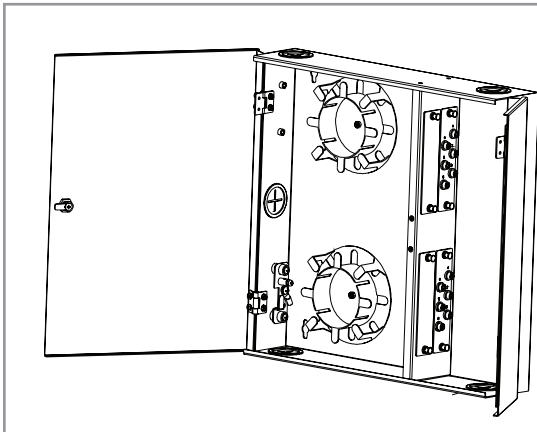
[2] When adapter faceplates are ordered in a bundle with enclosure, it will be pre-loaded into the enclosure for shipment.

[3] When adapter faceplates are to be ordered separately with individual Part Nos. as in Page 93 ~ 95, the adapter faceplates will be packed and shipped separately.

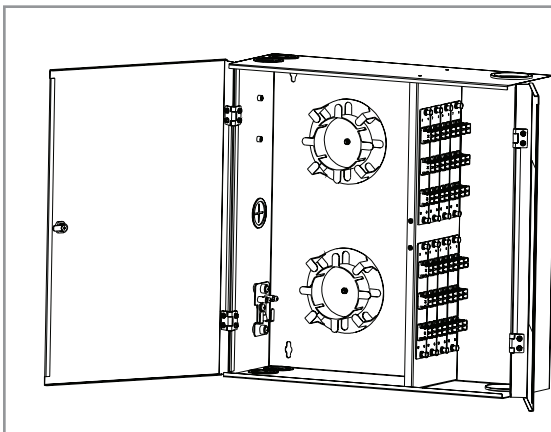
# INDOOR WALLMOUNT ENCLOSURES

## WALLMOUNT FOR PATCHING

This wallmount enclosure is designed for fiber cable patching application, it supplies with cable management spools to support convenient fiber patching, optional preloaded adapter faceplates can be preloaded to allow extra convenience.



Example of Wallmount Size-1:  
370 x 350 x 78 (WxHxD) mm  
4-slot, 12F FC Adapter  
P/N: WP1-02-D106N



Example of Wallmount Size-5:  
420 x 420 x 198 (WxHxD) mm  
8-slot, 96F LC Beige Adapter  
P/N: WP5-08-C412R

Item Description				Max. Fiber Capacity Per Enclosure			Part No.	
Size of the Wallmount Enclosure (W x H x D) mm	Total Nos. of Faceplate Slot Per Enclosure	Accommodate Faceplate Size (H x W) mm	Nos. of Preloaded Splice Tray and Fiber Spools (Set)	House with FC/ST Faceplates	House with SC Faceplates	House with LC Faceplates	P/N for Empty Enclosure without Faceplate	P/N for Enclosure Preloaded with Adapter Faceplate <sup>(1)</sup> <sup>(2)</sup> <sup>(3)</sup>
Size-1 : 370 x 350 x 78	4	Size-D: 28 x 120	1	24F	48F	48F	WP1	WP1-04-Dxxxx
Size-2 : 420 x 420 x 78	4	Size-C: 28 x 155	1	48F	48F	48F	WP2	WP2-04-Cxxxx
Size-3 : 420 x 420 x 108	6	Size-C: 28 x 155	2	72F	72F	72F	WP3	WP3-06-Cxxxx
Size-4 : 420 x 420 x 138	8	Size-C: 28 x 155	2	96F	96F	96F	WP4	WP4-08-Cxxxx
Size-5 : 420 x 420 x 198	12	Size-C: 28 x 155	4	144F	144F	144F	WP5	WP5-12-Cxxxx

[1] Part Nos. highlighted as Cxxxx, Dxxxx refers to the selection of Wallmount Adapter Faceplate, please turn to Page 93 ~ 95 to select Part Nos. for Adapter Faceplate

[2] When adapter faceplates are ordered in a bundle with enclosure, it will be pre-loaded into the enclosure for shipment.

[3] When adapter faceplates are to be ordered separately with individual Part Nos. as in Page 93 ~ 95, the adapter faceplates will be packed and shipped separately.